

| LEGEND | | |
|--------|--|---------|
| SYMBOL | DESCRIPTION | DETAIL |
| ① | DIAGONAL CRACKING AT TOP CORNER OF LOWER WALL | ① S2 |
| ② | SPALL AT BASE OF PLANTER CORNER | ② S2 |
| ③ | SPALL AT TOP OF LOWER RAMP WALL AT EDGE OF DECK | ③ S2 |
| ④ | DISPLACED CONCRETE COLUMN AT TOP OF RETAINING WALL | ④ S2 |
| ⑤ | SPALLED CURB & DISPLACED GUARDRAIL | ⑤ S2 |
| ⑥ | SPALL & DISPLACEMENT AT BOTTOM OF PLANTER CORNER | ⑥ S2 |
| ⑦ | SPALLED & DISPLACED CURB AT GUARDRAIL | ⑦ S2 |
| ⑧ | EXPOSED CARBON FIBER REINFORCING | ⑧ S2 |
| ⑨ | LARGE CRACK AT BOTTOM OF (E) CLOSURE STRIP | ⑨ S2 |
| ⑩ | SPALLED CURB AT STAIRWELL GUARDRAIL | ⑩ S2 |
| ⑪ | SPALL AT RAMP BASE WING WALL | ⑪ S2 |
| ⑫ | SPALL & DISPLACED EJM AT DECK-PLANTER WALL INTERFACE | ⑫ S2 |
| ⑬ | SPALL AT WALL-DECK INTERFACE | ⑬ S2 |
| ⑭ | CRACKS & SPALL AT TOP OF STAIRS | ⑭ S2 |
| ⑮ | SPALL AT PLANTER CORNER | ⑮ S2 |

GENERAL NOTES

GENERAL
ALL WORK SHALL CONFORM TO THE REQUIREMENTS OF THE CURRENT GOVERNING EDITION OF THE CALIFORNIA BUILDING CODE.

CONSTRUCTION LIABILITY
THE CONSTRUCTION CONTRACTOR AND HIS SUBCONTRACTORS AGREE THAT IN ACCORDANCE WITH GENERALLY ACCEPTED CONSTRUCTION PRACTICES, THE CONSTRUCTION CONTRACTOR AND HIS SUBCONTRACTORS WILL BE REQUIRED TO ASSUME SOLE AND COMPLETE RESPONSIBILITY FOR JOB SITE CONDITIONS DURING THE COURSE OF CONSTRUCTION OF THE PROJECT, INCLUDING SAFETY OF ALL PERSONS AND PROPERTY; THAT THIS REQUIREMENT SHALL BE MADE TO APPLY CONTINUOUSLY AND NOT LIMITED TO NORMAL WORKING HOURS, AND THE CONSTRUCTION AND HIS SUBCONTRACTORS FURTHER AGREE TO DEFEND, INDEMNIFY AND HOLD THE DESIGN PROFESSIONAL HARMLESS FROM ANY AND ALL LIABILITY, REAL OR ALLEGED, IN CONNECTION WITH THE PERFORMANCE OF WORK ON THIS PROJECT, EXCEPT LIABILITY ARISING FROM THE SOLE NEGLIGENCE OF THE DESIGN PROFESSIONAL.

TYPICAL REPAIR PROCEDURES:
REVIEW PRODUCT DATA SHEETS AND MANUFACTURER'S INSTALLATION PROCEDURES BEFORE USING ANY REPAIR PRODUCT.
REMOVE ALL UNSOUND CONCRETE, LEAVING A CLEAN, EXPOSED AGGREGATE PROFILE WITH 1/16TH-INCH MINIMUM AMPLITUDE.
SAWCUT TO 3/8TH-INCH MINIMUM DEPTH AT SPALL PATCH PERIMETER.
REMOVE REBAR RUST TO BRIGHT METAL. TAKE CARE TO NOT FURTHER DAMAGE EXISTING REINFORCING.
PRIME EXPOSED SURFACES OF CONCRETE AND REBAR WITH Sika ArmaTec110 EpoCem, PER MANUFACTURER'S SPECIFICATIONS.
APPLY REPAIR MORTAR PER MANUFACTURER'S SPECIFICATIONS.
INFORM THE ENGINEER IMMEDIATELY, SHOULD SOLID CONCRETE NOT BE FOUND AFTER A REASONABLE AMOUNT OF SPALL REMOVAL, OR IF EXISTING REBAR HAS A SECTION LOSS OF GREATER THAN 10%.



ABBREVIATIONS

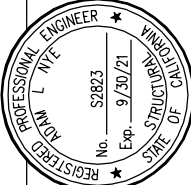
| | | | |
|-------|------------------------|-------|------------------------|
| Ø | AT | Ga | GAUGE |
| φ | DIAMETER | GALV | GALVANIZED |
| # | NUMBER | HORIZ | HORIZONTAL |
| AB | ANCHOR BOLT | MB | MACHINE BOLT(S) |
| ARCH. | ARCHITECT(URAL) | MAX | MAXIMUM |
| BLKG | BLOCKING | MECH | MECHANICAL |
| BLDG | BUILDING | MIN | MINIMUM |
| BM | BEAM | MISC | MISCELLANEOUS |
| CL | CENTER LINE | (N) | NEW |
| CLR | CLEAR | NTS | NOT TO SCALE |
| CONC | CONCRETE | OC | ON CENTER |
| CONST | CONSTRUCTION | OH | OPPOSITE HAND |
| CONT | CONTINUOUS | PL | METAL PLATE |
| DBL | DOUBLE | REQ'D | REQUIRED |
| DWG | DRAWING | SIM | SIMILAR |
| (E) | EXISTING | SYM | SYMMETRICAL |
| EA | EACH | TYP | TYPICAL |
| EJF | EXPANSION JOINT FILLER | UON | UNLESS OTHERWISE NOTED |
| EQ | EQUAL | VERT | VERTICAL |
| EW | EACH WAY | W/ | WITH |
| FS | FAR SIDE | | |

STRUCTURAL SPECIFICATIONS

CONCRETE REPAIR PRODUCTS:
REPAIR PRODUCTS INDICATED ARE BY THE SIKA CORPORATION OF LYNDHURST, NJ.
REINFORCING STEEL: ASTM A706, GR 60
EXPANSION JOINT MATERIAL: ASPHALTIC, NON-METALLIC, PER ASTM D994 & D1751

DRAWING INDEX

| | |
|----|---|
| S1 | GENERAL NOTES, KEY PLAN AND REPAIR SCHEDULE |
| S2 | REPAIR DETAILS |



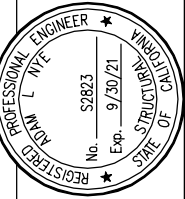
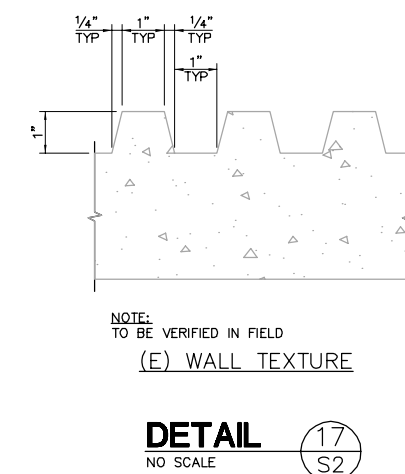
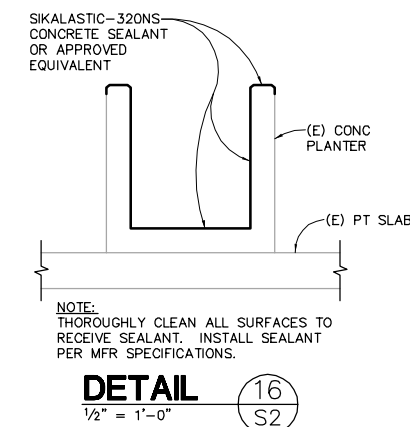
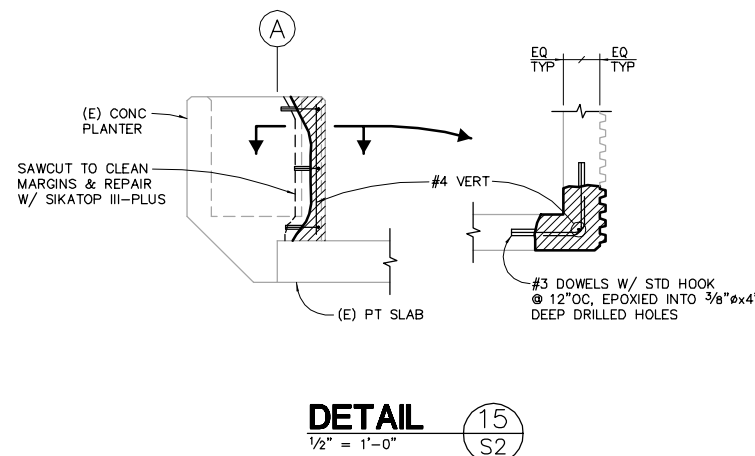
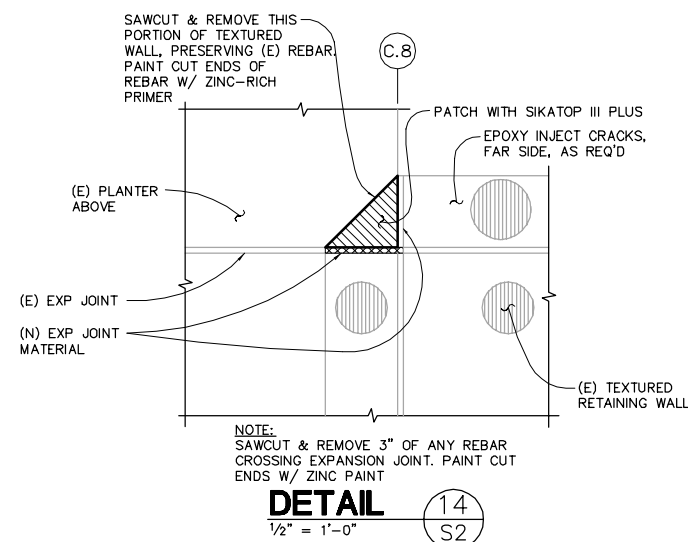
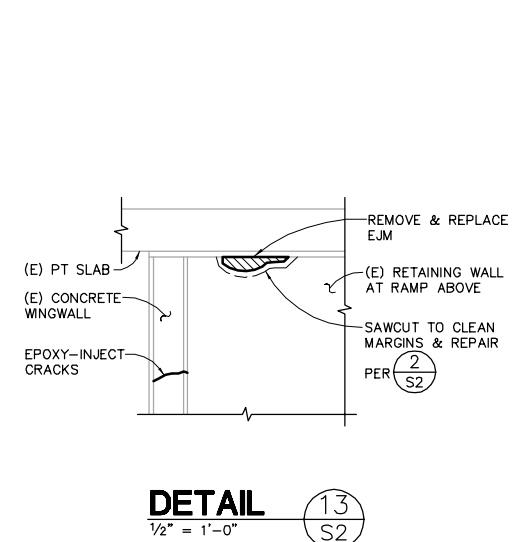
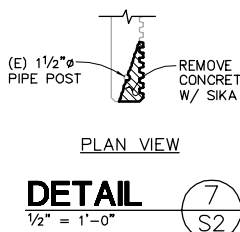
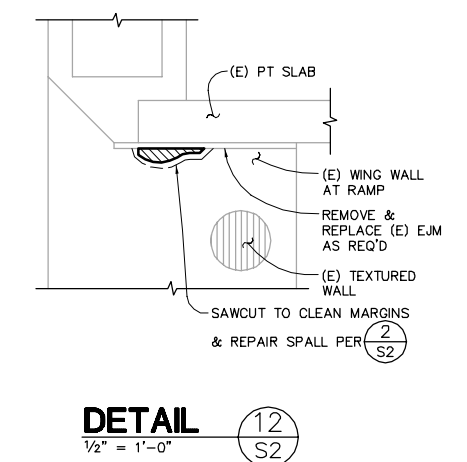
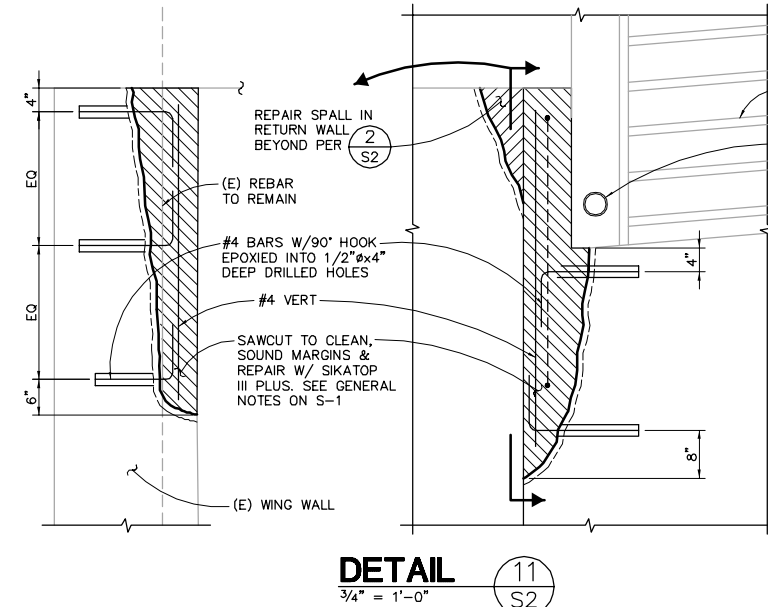
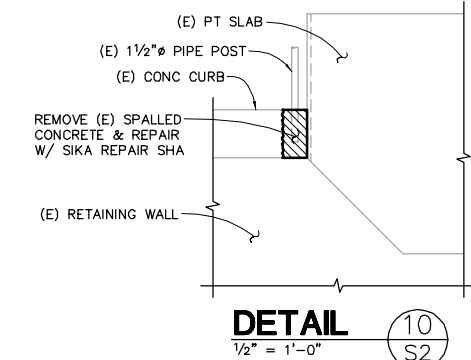
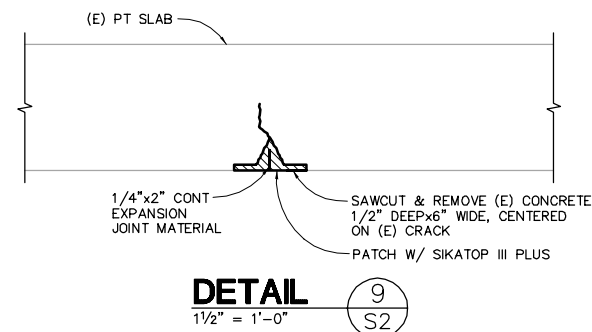
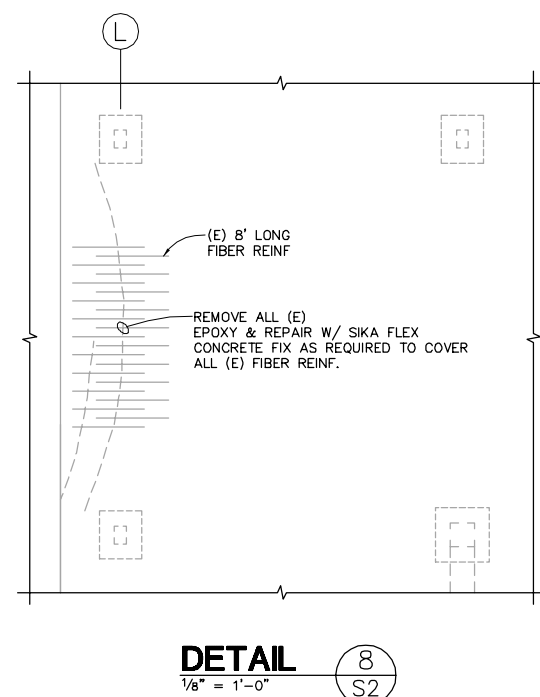
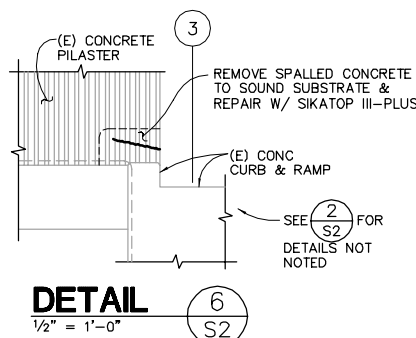
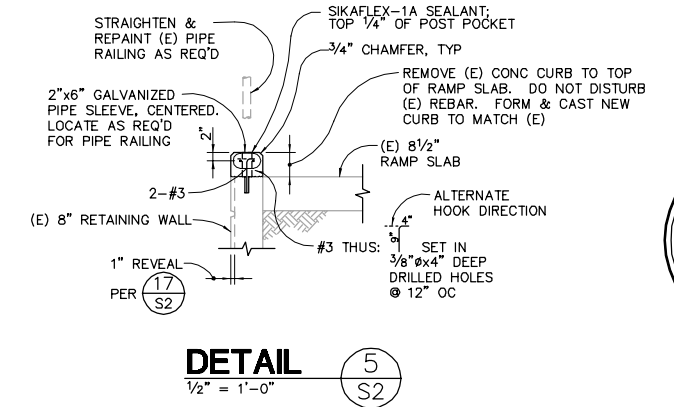
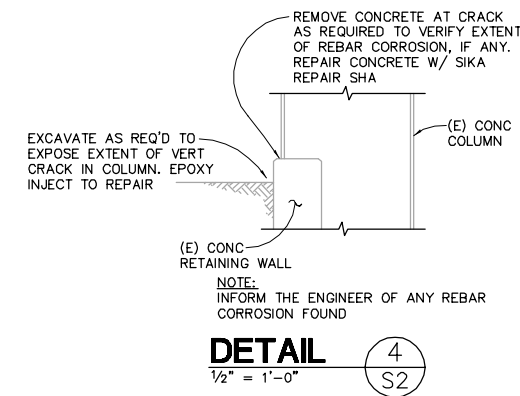
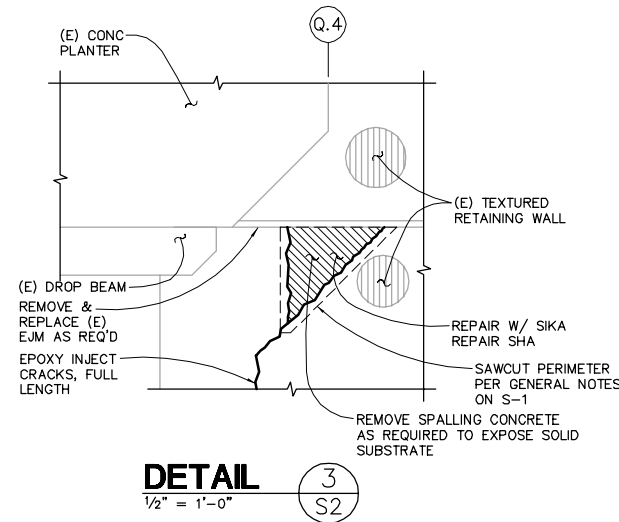
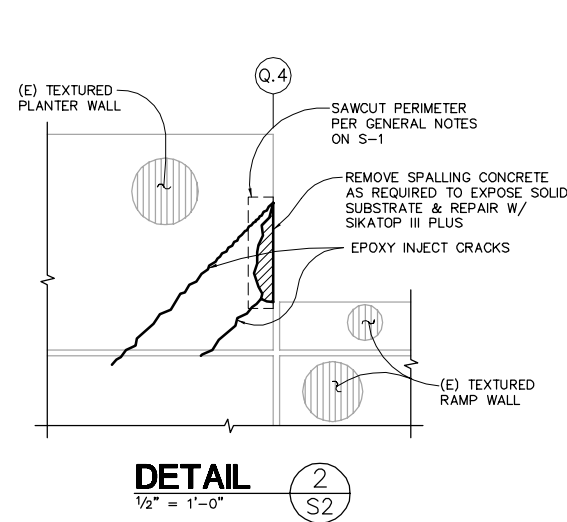
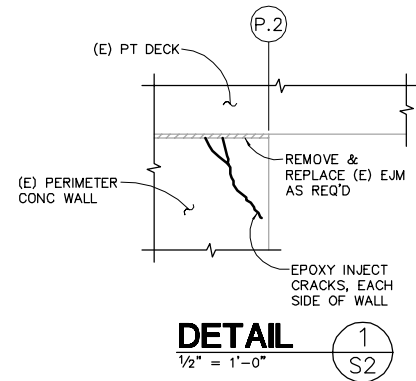
| | | | |
|--------------|----------|-------------|--|
| DESIGNED BY: | ALN | BY | |
| DRAWN BY: | MLT | REV. DATE | |
| CHECKED BY: | DBD | DESCRIPTION | |
| SCALE: | AS SHOWN | | |

BIGGS CARDOSA ASSOCIATES INC
STRUCTURAL ENGINEERS
865 The Alameda
San Jose, California 95126
408-296-5515

GENERAL NOTES, KEY PLAN AND REPAIR SCHEDULE
PARKING LOT No. 4
TOWN OF LOS GATOS
LOS GATOS, CALIFORNIA

| | |
|--------------|-----------|
| SHEET NUMBER | S1 |
| OF SHEETS | 1 |
| DRAWING NO. | 2019348-1 |

PLAN CHECK SET/NOT FOR CONSTRUCTION (01/06/20)



| | | | |
|--------------|----------|-------------|--|
| DESIGNED BY: | ALN | BY | |
| DRAWN BY: | MLT | REV. DATE | |
| CHECKED BY: | DBD | DESCRIPTION | |
| SCALE: | AS SHOWN | | |

BIGGS CARDOSA ASSOCIATES INC.
STRUCTURAL ENGINEERS
865 Th. Alameda
San Jose, California 95126
408-296-5515

REPAIR DETAILS
PARKING LOT No. 4
TOWN OF LOS GATOS
LOS GATOS, CALIFORNIA

SHEET NUMBER
S2
OF SHEETS
DRAWING NO.
2019348-2

PLAN CHECK SET/NOT FOR CONSTRUCTION (01/06/20)